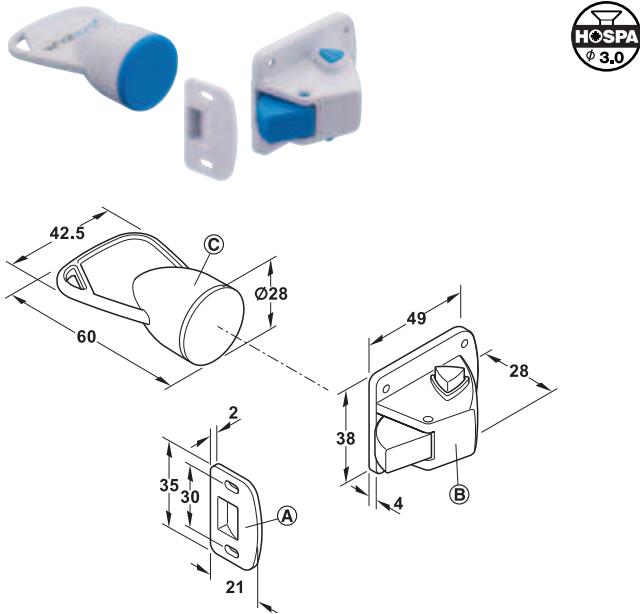


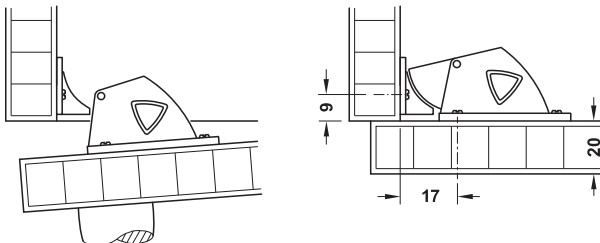
**whatlock® Magnetic lock system for doors**



- (A) Counterpiece
- (B) whatlock® magnetic lock system for doors
- (C) whatlock® magnet opener

- > Area of application: For all types of doors with thickness of 16–25 mm, particularly suitable as child protection, the whatlock® magnet opener unlocks the latchbolt so that the door can be opened
- > Material: Plastic
- > Finish/colour: White/blue
- > Version: With adhesive strips
- > Installation: For screw fixing or glue fixing

**Functionality**



The latchbolt is retracted and the door can be opened when presenting the whatlock® magnet opener (not supplied). The latchbolt engages automatically when the door is being closed. The door is secured.

**Supplied with**

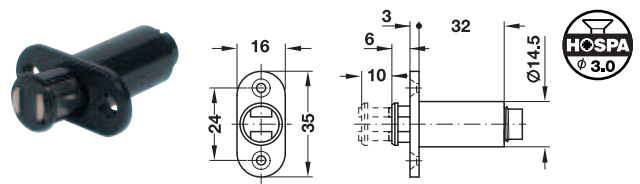
- For magnetic lock system for doors
- 1 latchbolt lock
- 1 counterpiece
- 6 chipboard screws  $\varnothing$  3 mm

	Cat. No.
whatlock® magnetic lock system for doors	245.41.792
whatlock® magnet opener	245.41.798

Packing: 1 or 100 pieces

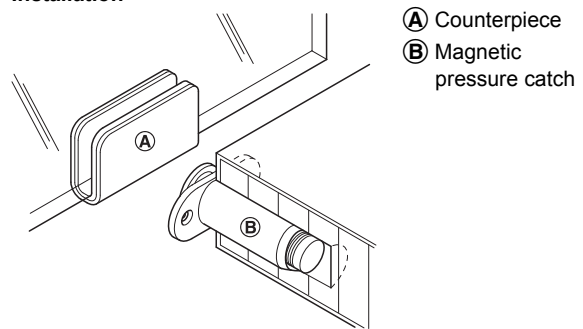
**Magnetic pressure catch**

→ For glass doors, pull 1.4 kg



- > Material: Plastic
- > Colour: Black
- > Installation: For mounting in drilled hole and for screw fixing

**Installation**



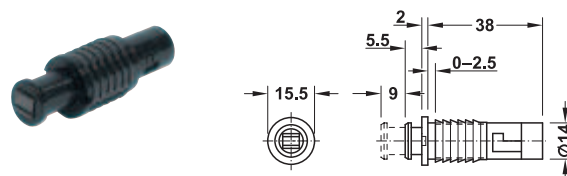
Pull kg	Cat. No.
1.4	245.62.311

Packing: 1 or 100 pieces

**Order reference**

Please order counterpieces separately.

→ For press fitting, pull 1.2 kg



- > Material: Plastic
- > Colour: Black
- > Adjustment facility: 2.5 mm
- > Installation: For press fitting

Pull kg	Cat. No.
1.2	245.62.338

Packing: 1 or 100 pieces

**Order reference**

Please order counterpieces separately.

Counterpiece ► MB 6.218

DGH-M 2017, HDE-en, 10/16; Dimensional data not binding. We reserve the right to alter specifications without notice.